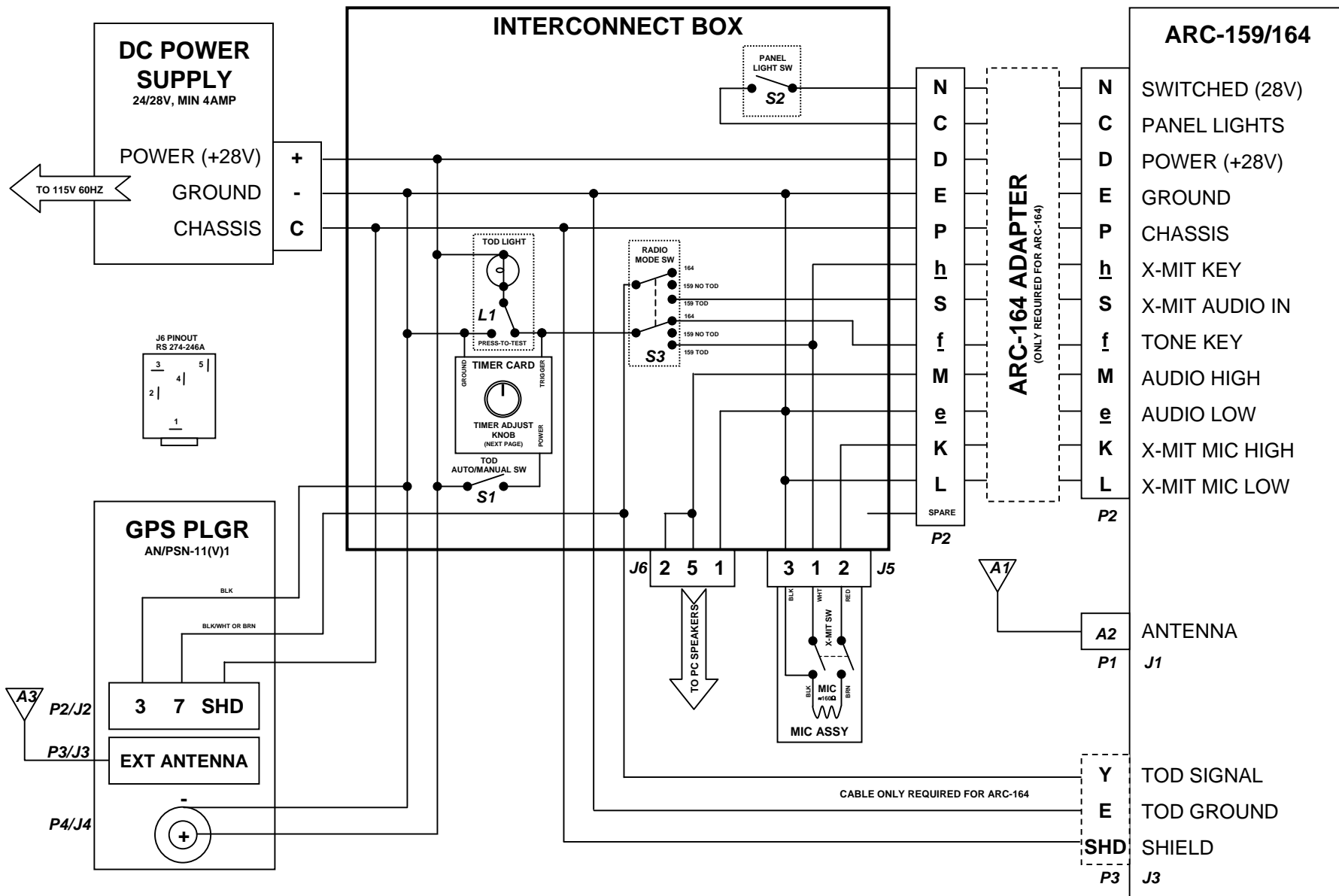


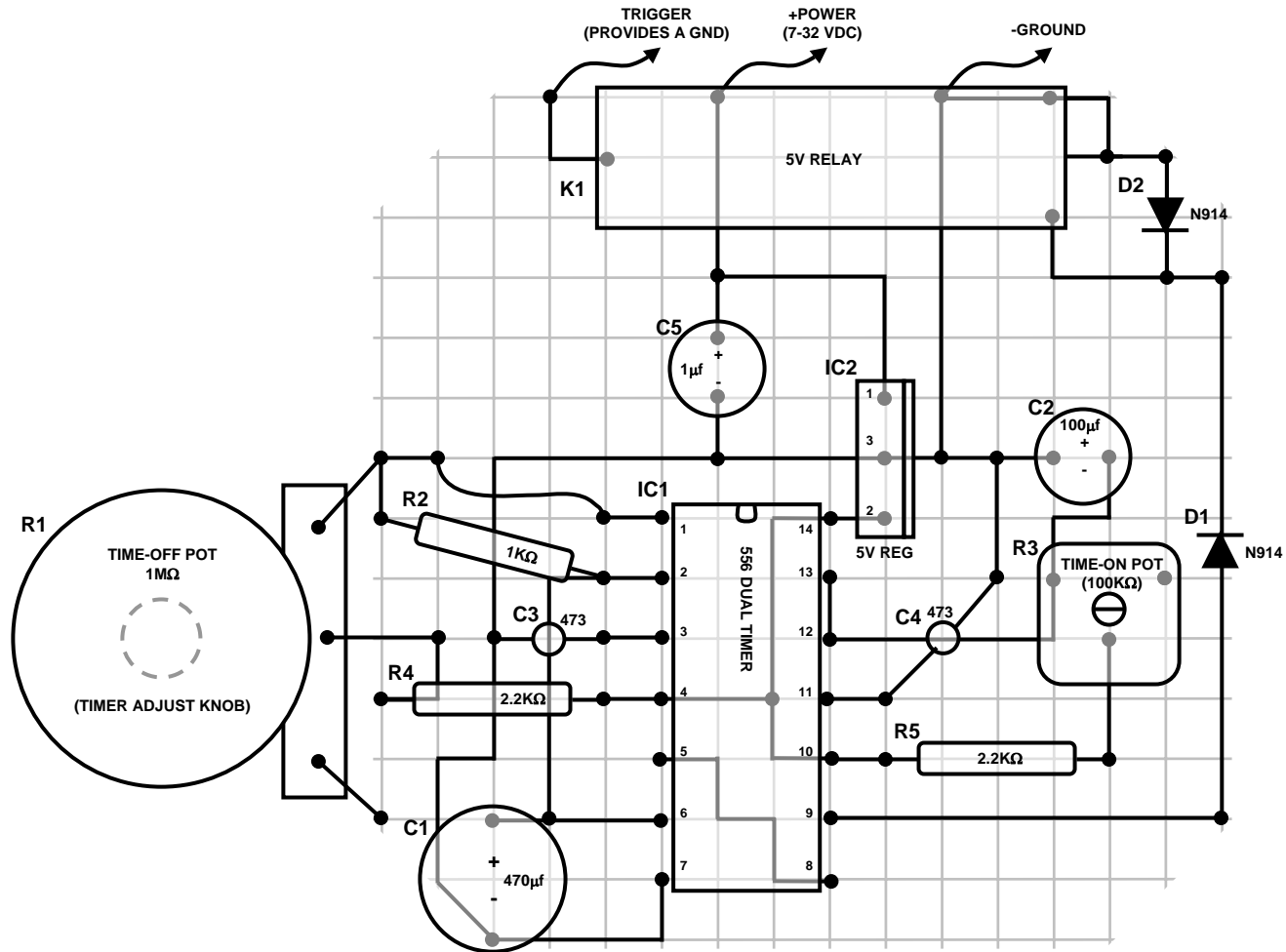
UNIVERSAL 159/164 BASE/AUTO-DOG RADIO

CWO JIM MAY III - VMGR-452 AVIONICS - CH 18 - DATED 040601



BASE/AUTO-DOG TIMER CARD

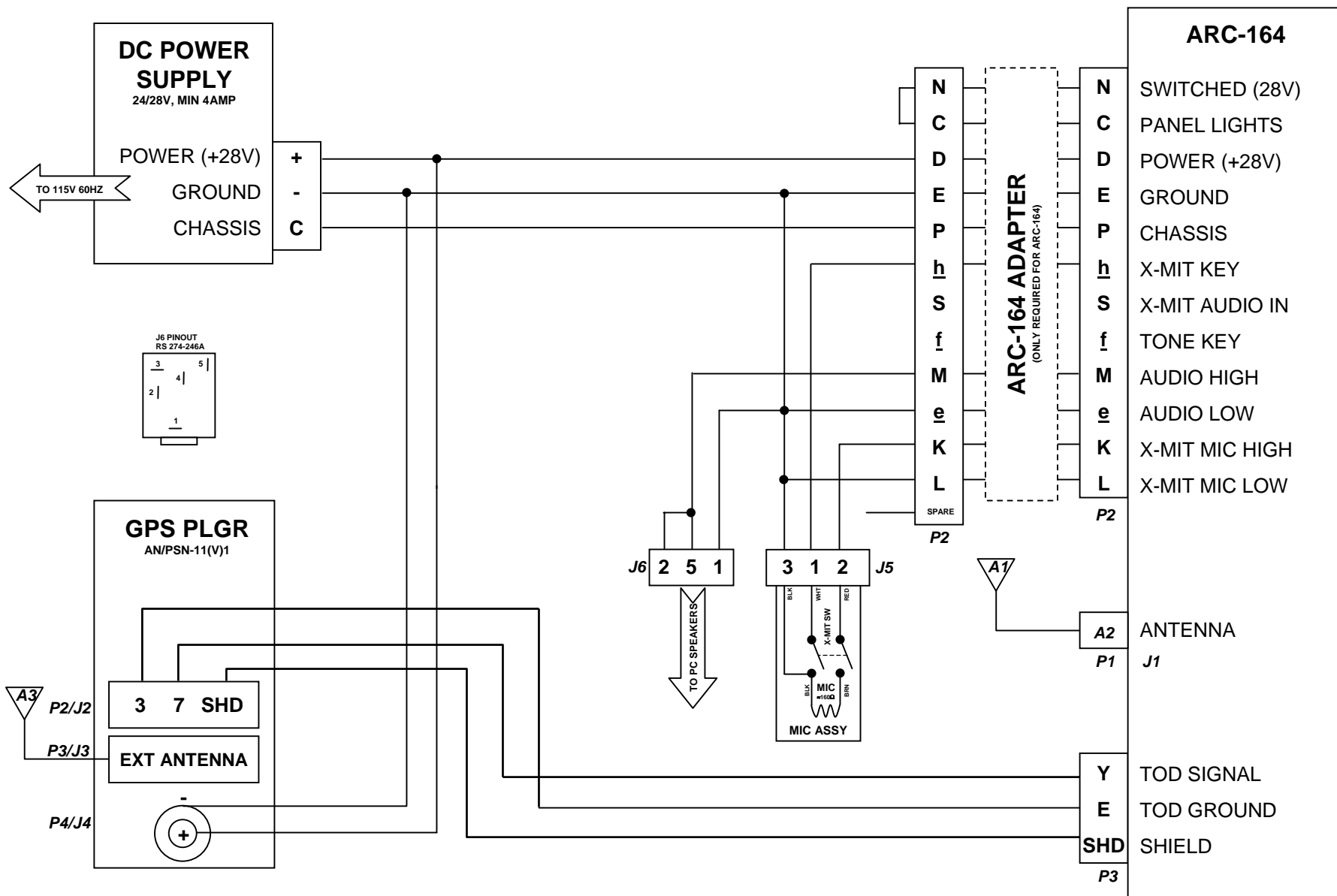
CWO JIM MAY III - VMGR-452 AVIONICS - CH 18 - DATED 040601



RADIO SHACK
15x16 BOARD# 276-148
(COMPONENT SIDE SHOWN)

ARC-164 BASIC BASE RADIO

CWO JIM MAY III - VMGR-452 AVIONICS - CH 18 - DATED 040601



BASE/AUTO-DOG PARTS LIST

CWO JIM MAY III - VMGR-452 AVIONICS - CH 18 - DATED 040601

<u>ITEM</u>	<u>NOMENCLATURE</u>	<u>P/N</u>	<u>MFG</u>	<u>PRICE</u>	<u>U/I</u>
(INTERCONNECT BOX)					
CASE	ELECTRONIC PROJECT CASE, BLACK PLASTIC (3-3/16x2-1/8x1-3/8)	270-283	RSHACK	3.99	EA
S1 & S2	SWITCH, TOGGLE, SPDT (2 POS)	MS90310-231	96906	15.86	EA
		NSN 5930-00-914-6458			
S3	SWITCH, TOGGLE, DPDT (3 POS)	MS35059-21	96906	6.27	EA
		NSN 5930-00-503-2441			
L1	LAMP ASSEMBLY, PTT, 24/28VDC	MS25041-3	96906	17.20	EA
		NSN 6120-00-538-8770			
P2	CONNECTOR, PLUG (ARC-159/164 J2)	MS27473T18B32S		17.42	EA
		NSN 5935-00-163-3644			
P2-BS	BACKSHELL FOR RADIO P2 (STRAIT)	M85049/52-1-18W		2.65	EA
		NSN 5935-01-177-9556			
P2-BS	BACKSHELL FOR RADIO P2 (90 DEG)	M85049/47-W18		5.59	EA
		NSN 5935-01-230-9712			
P3	CONNECTOR, PLUG (ARC-164 J3)	MS27473T18B32SA		18.81	EA
		NSN 5935-01-025-9104			
P3-BS	BACKSHELL FOR RADIO P3	M85049/29-18W03		19.73	EA
		NSN 5935-01-245-9715			
J5	CONNECTOR, JACK, 3 PRONG	MT342B	82389	3.68	EA
		NSN 5935- 00-500-7439			
J6	CONNECTOR, JACK, STEREO	274-264A	RSHACK	2.49	EA
GLUE	GLUE, EPOXY 5 MINUTE	?	?	?	TB

BASE/AUTO-DOG PARTS LIST

CWO JIM MAY III - VMGR-452 AVIONICS - CH 18 - DATED 040601

<u>ITEM</u>	<u>NOMENCLATURE</u>	<u>P/N</u>	<u>MFG</u>	<u>PRICE</u>	<u>U/I</u>
(GPS PARTS)					
PLGR	GPS PLGR, AN/PSN-11(V)1	822-0077-103	13499	1872.74	EA
A3	ANTENNA, GPS PLGR, FLAT, MAGNETIC MOUNT	013-1925-030	13499	365.00	EA
		NSN 5985-01-469-9157			
P2	CABLE, GPS PLGR, DATA	426-0141-040	13499	9.52	EA
		NSN 6150-010375-8665			
P3	CABLE, GPS PLGR, ANTENNA	426-0141-050	13499	25.63	EA
		NSN 6150-01-375-8662			
P4	CABLE, GPS PLGR, POWER W/FUSE HOLDER	426-0144-010	13499	107.70	EA
		NSN 6150-01-469-6066			
(RADIO ACCESSORIES)					
A1	ANTENNA, ARC-159/164, (AIRCRAFT UHF BLADE TYPE)	M5815/1-01	81349	137.41	EA
		NSN 5985-00-217-0457			
A2	ANTENNA ADAPTER, (ONLY REQ FOR ARC-164)	10689631	18876	3.46	EA
		NSN 5935-00-701-2215			
CBL-1	CABLE, ANTENNA, (LENGTH AS REQ)	M17/174-00001		3.84	FT
		NSN 6145-01-096-6844			
CBL CON-1	CONNECTOR, ANTENNA CABLE	M39012/01-005	74868		EA
CBL CON-2	CONNECTOR, ANTENNA CABLE	UG-959A/U			EA
(RADIO)					
ARC-159	UHF RT	622-1394-002	13499	21562.00	EA
ARC-164	UHF RT, HQI/II CAPABLE	707648-801	37965	9625.59	EA
ADAPTER	ADAPTER, ARC-164 RADIO, (ONLY REQ FOR ARC-164)	467514-807	12255	1220.00	EA
		NSN 5999-01-325-5751			

BASE/AUTO-DOG PARTS LIST

CWO JIM MAY III - VMGR-452 AVIONICS - CH 18 - DATED 040601

<u>ITEM</u>	<u>NOMENCLATURE</u>	<u>P/N</u>	<u>MFG</u>	<u>PRICE</u>	<u>U/I</u>
(POWER SUPPLY)					
PWR	POWER SUPPLY, 28 VDC, MIN 4 AMP				EA
HS	HEAT SHRINK, ½ INCH DIAMETER				FT
WIRE	WIRE, 20 GAUGE, 10 FEET	M22759/16-20-9	0Z282		FT
		NSN 6145-01-042-4621			
(MICROPHONE/SPEAKERS)					
MIC-1	MICROPHONE, W/SW, HANDHELD	510-202-001		100.64	EA
		NSN 5965-01-027-5414			
SPK-1	SPEAKERS, NORMAL AMPLIFIED STEREO JACK TYPE				EA
(OTHER - NOT REQUIRED)					
HS	HEADSET, DAVE CLARK, W/VOL CONTROL	H10-76	71483	236.19	EA
		NSN 5965-01-390-9240			
ALT-HS	HEADSET, DAVE CLARK, W/AMP SW AND VOL CONTROL	H10-66	71483	359.30	EA
		NSN 5965-01-360-0454			
HS-AMP	AMPLIFIER (FOR H10-76 HEADSET)	M23595/1-2	81349	51.36	EA
		NSN 5831-00-755-4643			
PWR-2	POWER SUPPLY, 12 VDC, 110/220 INPUT (GPS PLGR)	45763SE	13499	8.96	EA
		NSN 6130-01-376-2168			

BASE/AUTO-DOG PARTS LIST

CWO JIM MAY III – VMGR-452 AVIONICS – CH 18 – DATED 040601

<u>ITEM</u>	<u>NOMENCLATURE</u>	<u>P/N</u>	<u>MFG</u>	<u>PRICE</u>	<u>U/I</u>
(TIMER CARD)					
BOARD	DUAL PC CIRCUIT BOARD (15X16, 213 HOLES, ½ BOARD)	276-148A	RSHACK		EA
KNOB	KNOB, POT, 1" DIAMETER, ¼" SHAFT	274-416	RSHACK	2.99	4 PK
R1	1-MΩ LINEAR-TAPER POT 500VDC/.5W	271-0211	RSHACK	2.49	EA
R2	1-K Ω 1/2W 5% RESISTOR	271-1118	RSHACK	.99	5 PK
R3	100-KΩ MICRO TRIM POT	271-0284	RSHACK	1.19	EA
R4 & R5	2.2-K 1/2W 5% RESISTOR	271-1121	RSHACK	.99	5 PK
D1 & D2	1N914/4148 DIODE, SWITCHING	276-1122	RSHACK	1.29	10 PK
C1	470μf CAPACITOR, RADIAL, ELECTROLYTIC, 35V	272-1030	RSHACK	.99	EA
C2	100μf CAPACITOR, RADIAL, ELECTROLYTIC, 35V	272-1028	RSHACK	.99	EA
C3 & C4	0.047μf CAPACITOR, CERAMIC, 20%	272-0134	RSHACK	.99	2 PK
C5	1μf CAPACITOR, RADIAL, ELECTROLYTIC, 35V	272-1419	RSHACK	.99	EA
K1	RELAY, REED, 5VDC SPST 1A@125V	275-0232	RSHACK	2.49	EA
IC1	556 DUAL TIMER (4.5-16VDC)	276-1728	RSHACK	1.59	EA
IC2	7805 REGULATOR, 5VDC (MAX 32), 1 AMP	276-1770	RSHACK	1.49	EA
WIRE	WIRE, SINGLE WIRE CONDUCTOR, 22-26 GAUGE FT				

EXTRA PARTS LIST

CWO JIM MAY III – VMGR-452 AVIONICS – CH 18 – DATED 040601

<u>ITEM</u>	<u>NOMENCLATURE</u>	<u>P/N</u>	<u>MFG</u>	<u>PRICE</u>	<u>U/I</u>
SW	SWITCH, MOMENTARY PUSH, DPDT, RED	F1-10075	21649		EA
SW	SWITCH, MOMENTARY PUSH, SPST, BLACK	MS25089-4B			EA
ALT MIC-1	MICROPHONE, W/SW, HANDHELD	M92C/U			EA
		NSN 5965-00-845-6325			
P5	MIC CONNECTOR, PLUG, 3 PIN	M6425-1		\$8.59	EA
MIC-2	MICROPHONE, BOOM TYPE	M87			EA
AMP-2	AMPLIFIER (FOR M87 TYPE MIC)	M235951-2			EA

NOTES:

-CONFIGURATION DUBS AS A SHOP BASE RADIO.

-ARC-164 RADIO GIVES YOU FULL CAPABILITY TO PERFORM ACTIVE (HAVEQUICK) CHECKS.

-TIMER (WITH TOD AUTO/MANUAL SWITCH IN UP POSITION) HAS THE CAPABILITY TO VARY FROM .1 SECOND TO 5 MINUTES OFF.

-TOD AUTO/MANUAL SWITCH CAN BE PLACED IN THE DOWN POSITION TO TURN TIMER OFF.

-PANEL LIGHT SWITCH IN THE UP POSITION TURNS THE RADIO'S FACE PLATE LIGHTING ON.

-RADIO MODE SWITCH IN THE UP POSITION FOR ARC-164 (TIMER KEYS TONE BUTTON), MIDDLE FOR 159 WITH OUT TOD (TIMER KEYS XMIT BUTTON), DOWN FOR ARC-159 WITH TOD (TIMER KEYS TONE BUTTON WITH TOD SIGNAL)

-PLGR SETUP - SET TO TIME MODE (NOT CONT), HAVEQUICK-ON, TOD WILL BE SET WHEN FOM<7 (SEE ON POS DISPLAY).